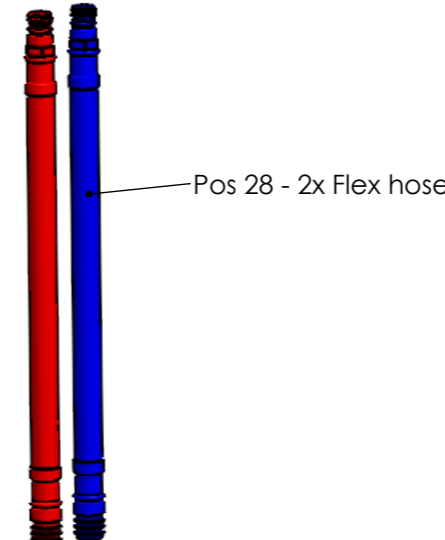
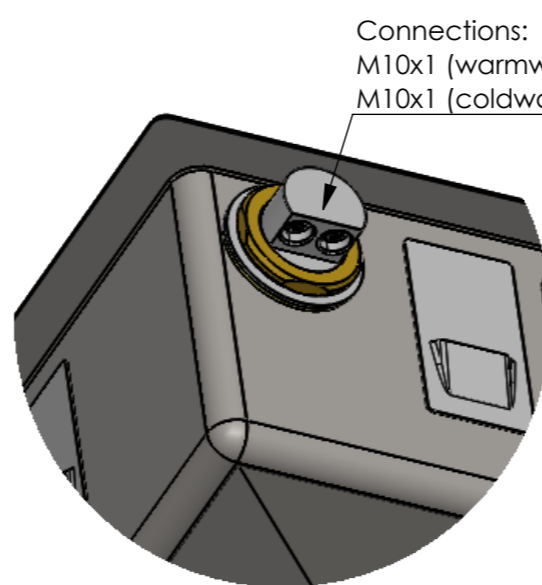
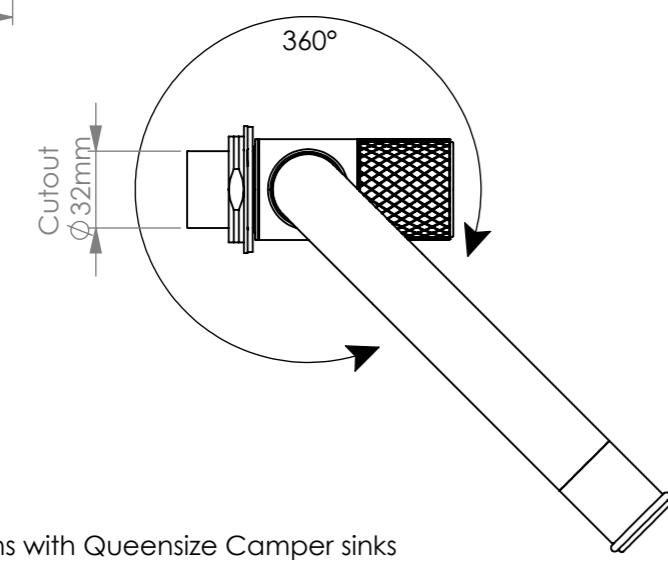
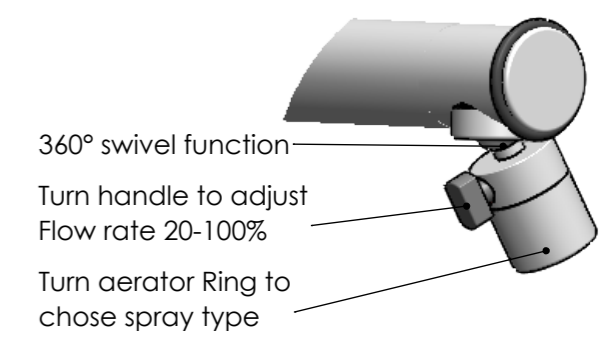


Optional Volume-Swivel Aerator with 2-Spray function

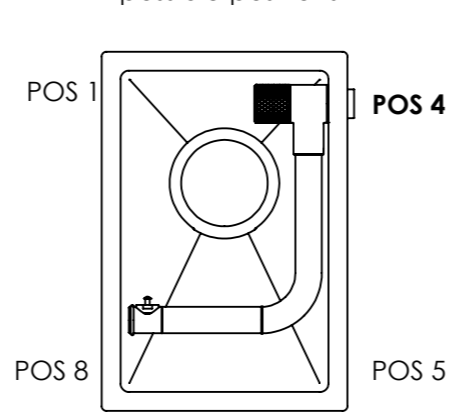
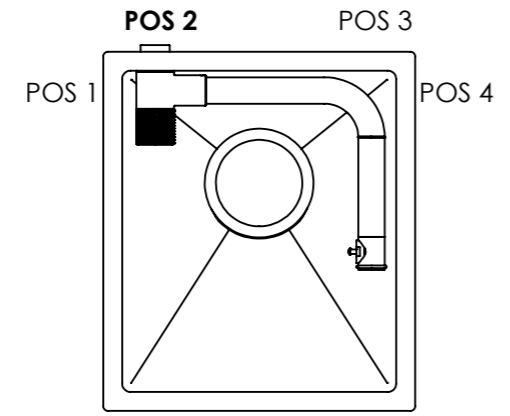
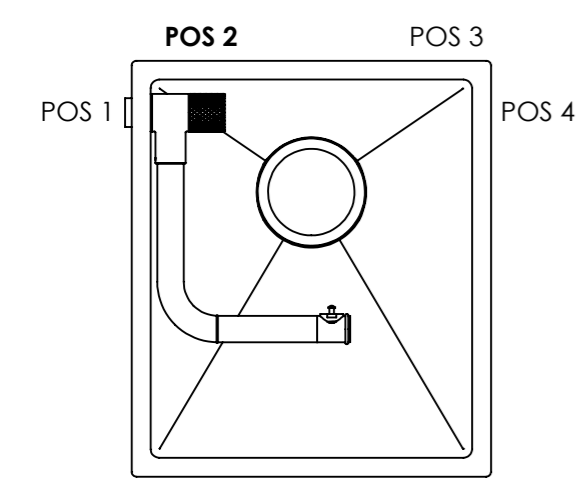


Mounting positions with Queensize Camper sinks

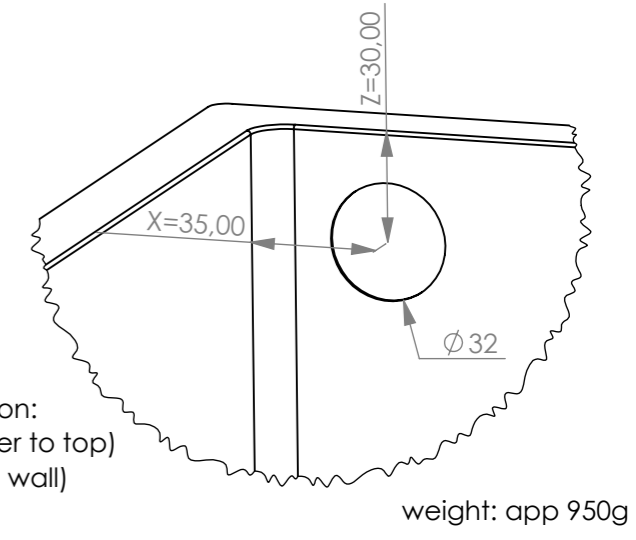
Sink 400x340mm
8 possible positions


Sink 340x290mm
8 possible positions

Sink 340x220mm
4 possible positions



Mounting recommendation:
z = minimum 30mm (center to top)
x = app. 35mm (center to wall)



 <p>Queensize Camper UG (Haftungsbeschränkt) Alte Mühle 22d, 22395 Hamburg, Germany</p>	Date	16.07.2024	Name	C. Weiss	Revision	V2
	Title	Warmwater Faucet "Basic"				
	Project	HAN QC-100-04-V2				
	Document No	230428_QC-100-04-V2_Overview_EN_V2				